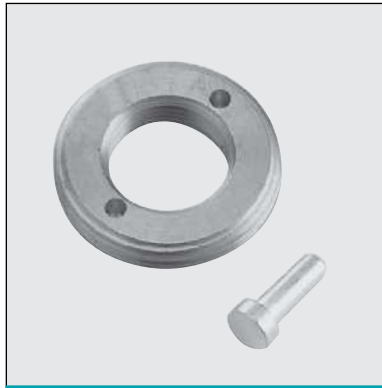


PARTS/ACCESSORIES



MODEL	DESCRIPTION
6 x 32	Set Screws
8 x 32	Set Screws



MODEL	DESCRIPTION
A4	BSA/BA/SO-239 to NMO mount adapter



MODEL	DESCRIPTION
BA	Bulkhead mount adapter with hardware



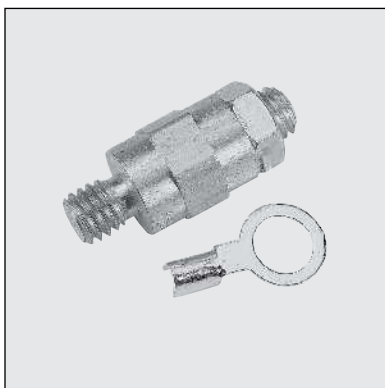
MODEL	DESCRIPTION
BAHEXNUT	Hex nut for BA



MODEL	DESCRIPTION
BALL1B	Black teardrop rod tip for W490, W540 tapered rods
BALL2B	Black teardrop rod tip for Q and NMOQ antennas
BALL3B	Black teardrop rod tip for .100 diameter non-tapered rods
BALL4	Rod tip WBQ800 antennas



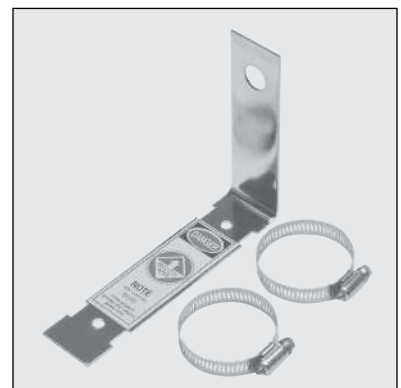
MODEL	DESCRIPTION
BANOHardware	Bulkhead mount adapter without hardware



MODEL	DESCRIPTION
BATTBOLT	Battery bolt with terminals, 3/8" ring leads



MODEL	DESCRIPTION
FB2BRACKET	Mounting bracket and hardware for FB2 series



MODEL	DESCRIPTION
FB3BRACKET	Mounting bracket and hardware for blade and round FB antennas



MODEL **DESCRIPTION**

GROMMETS Qty 100 plastic grommet secures/ centers coax, 3/4" hole



MODEL **DESCRIPTION**

HP34 Plastic hole plug for 3/4" hole
HP38 Plastic hole plug for 3/8" hole



MODEL **DESCRIPTION**

HS1 3/4" hole saw fits 3/8" or larger drills



MODEL **DESCRIPTION**

HSBLADE Replacemng blades for HS1



MODEL **DESCRIPTION**

KGREINSTALL KG glassmount installation kit die cut tape



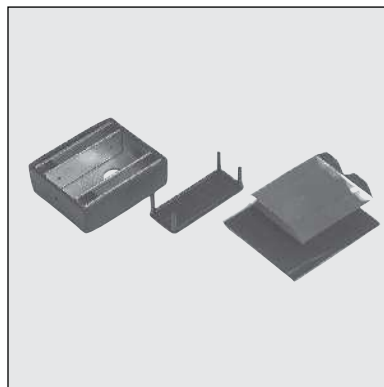
MODEL **DESCRIPTION**

KGREINSTALLDC KG glass mount installation kit die cut tape



MODEL **DESCRIPTION**

KGSWIVEL.073 KG swivel mount assembly, .073 dia
KGSWIVEL.100 KG swivel mount assembly, .100 dia



MODEL **DESCRIPTION**

MM34 Rectangular mag mount housing, 3/4" hole



MODEL **DESCRIPTION**

NMOBRASSRING Nickel plated brass ring for NMO and NMOHF mounts

PARTS/ACCESSORIES



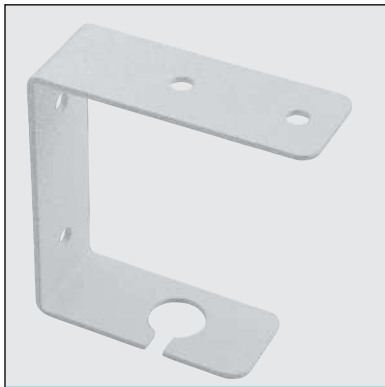
MODEL	DESCRIPTION
NMOCAPB	Rain cap for NMO mount



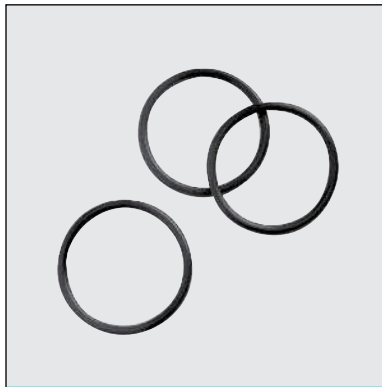
MODEL	DESCRIPTION
HFCENTERCONTACT	NMOHF Center Contacts and Insulators - 10 each



MODEL	DESCRIPTION
NMOTEST1	Test adapter for NMO mount



MODEL	DESCRIPTION
OCBRACKET	3" Tall bracket for ceiling or wall mount, Cool Grey



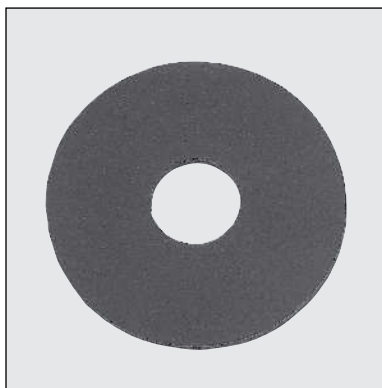
MODEL	DESCRIPTION
OLMMNT	O ring for LM mount
ONMOANT	O ring for NMO antennas/bases
ONMOMNT	O ring for NMO mount
OPOMNT	O ring for PO mount



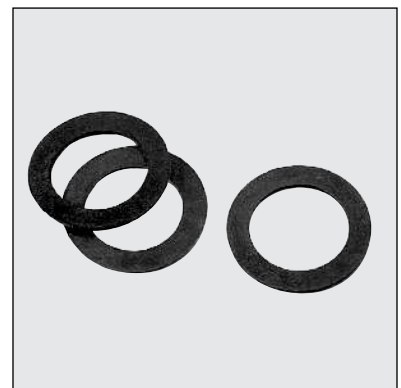
MODEL	DESCRIPTION
QCONE.073	Chrome Q cone / Q base, .073 dia.
QCONE.100	Chrome Q cone / Q base, .100 dia.
QCONE.125	Chrome Q cone / Q base, .125 dia.



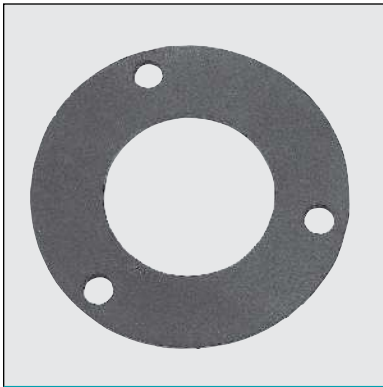
MODEL	DESCRIPTION
QCONE.073B	Black Q cone / Q base, .073 dia.
QCONE.100B	Black Q cone / Q base, .100 dia.
QCONE.125B	Black Q cone / Q base, .125 dia.



MODEL	DESCRIPTION
RGFB1ANT	Rubber gaskets for FB1 antenna



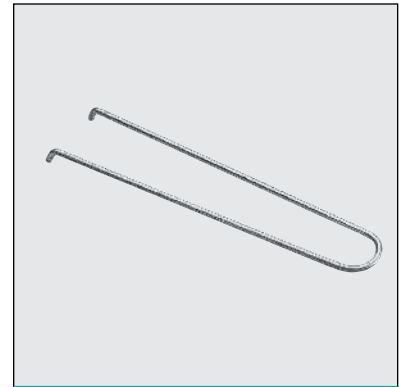
MODEL	DESCRIPTION
RGNMOANT	Rubber gasket for NMO coil/bases
RGPOMNT	Rubber gasket for PO mounts



MODEL	DESCRIPTION
RGOMANT	Rubber gasket for OM bases



MODEL	DESCRIPTION
RGSS	Rubber SuperSeal gasket for MakroBlend® coils / bases



MODEL	DESCRIPTION
SPANNER	Spanner wrench for PO and NMOK mounts



MODEL	DESCRIPTION
SPRING	Chrome shock spring Shock Spring QCONE Q Base .100 dia & wrench included



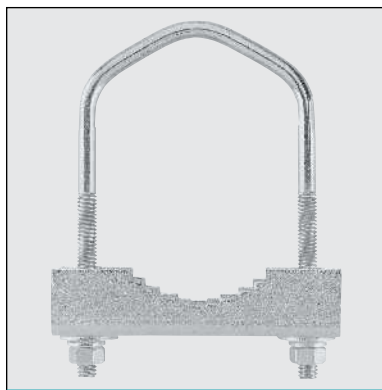
MODEL	DESCRIPTION
SPRINGB	Black shock spring Shock Spring QCONE.100B Q Cone .100 dia & wrench included



MODEL	DESCRIPTION
WACLIP	Mounting clips for WA700/2700 Series - 2 per package



MODEL	DESCRIPTION
WASUCTIONCUP	Suction cup mounts for WA700/2700 Series - 2 per package



MODEL	DESCRIPTION
YAGIKITHD	Mounting hardware for 2 1/2" pipe for YA3, YA5 and YA6 antennas



MODEL	DESCRIPTION
TMB34	Trunk Mount Bracket
TBM34B	Trunk Mount Bracket (Black)